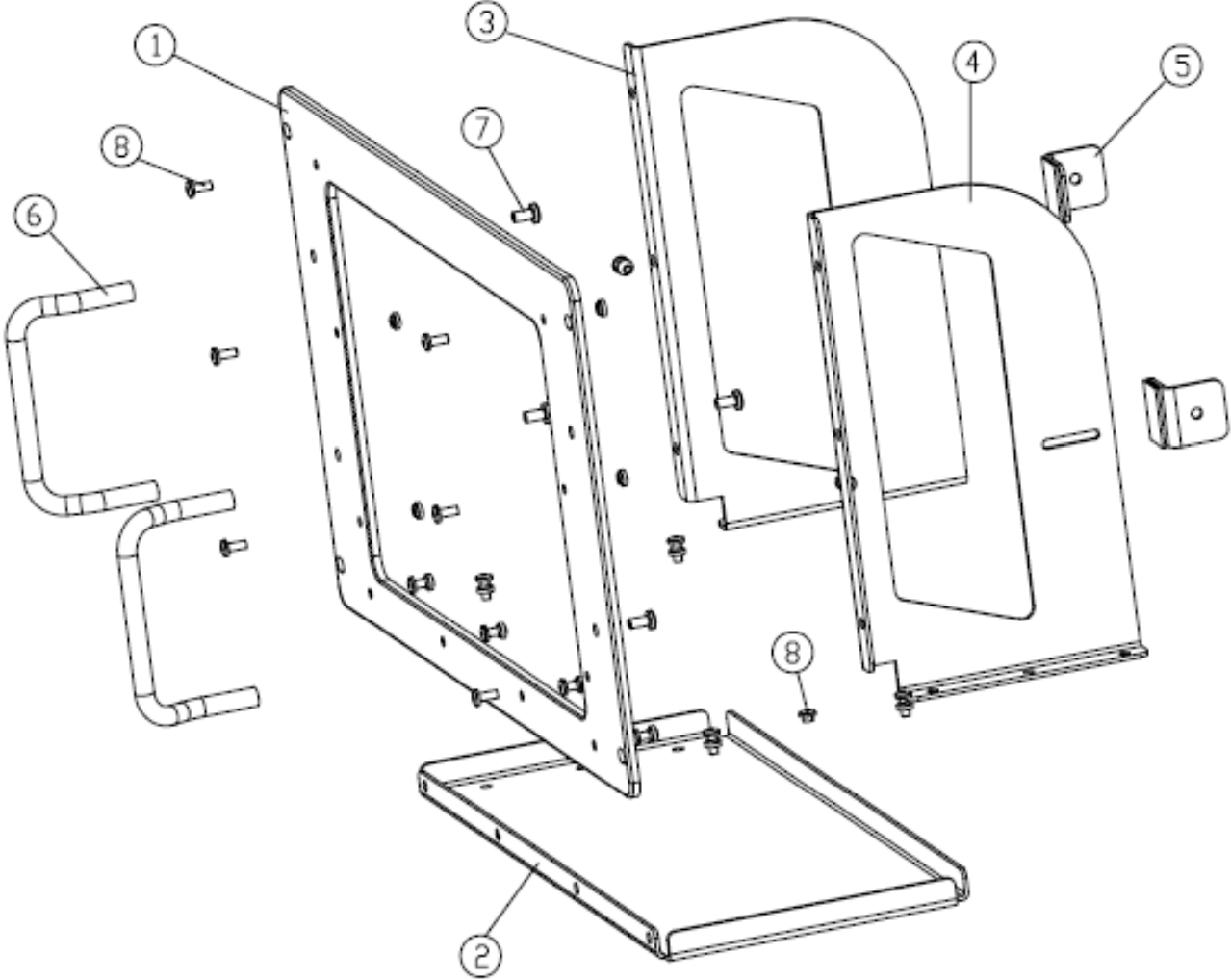
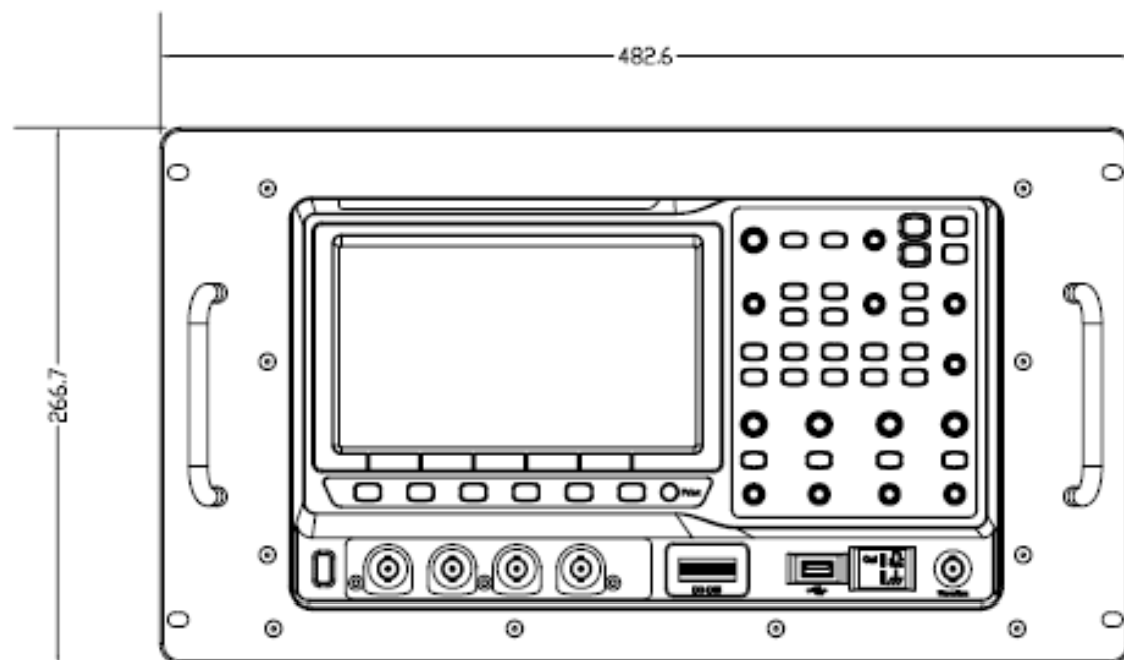
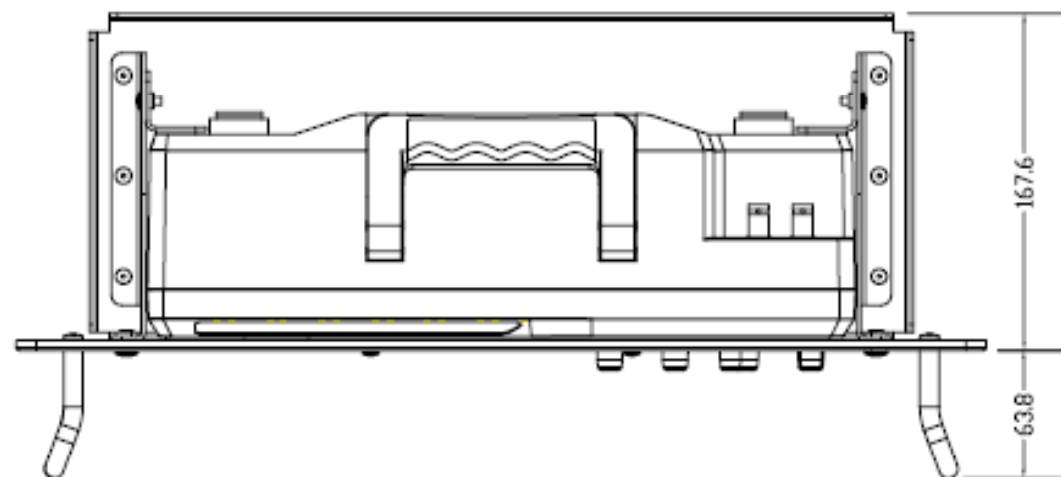


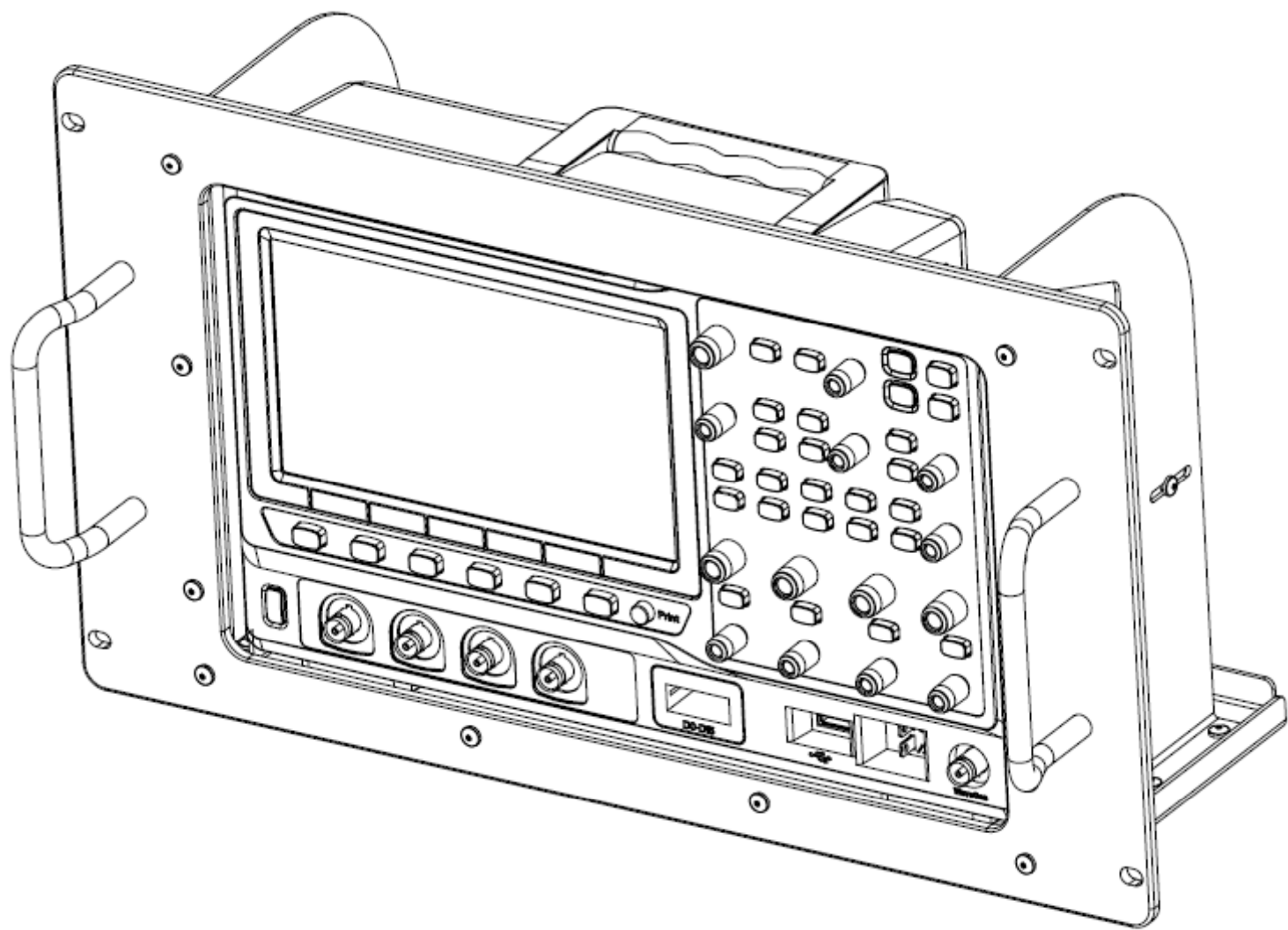
零件清单 Kit Part List

序号 No.	名称 Name	数量 QTY	零件料号 Part Number	描述 Description
1	五金前面板 Front panel	1	2.74.50.10.016	
2	五金底板 Support panel	1	2.74.50.40.064	
3	五金左板 Left panel	1	2.74.50.50.015	
4	五金右板 Right panel	1	2.74.50.50.016	
5	五金挡板 Built-in Fitting	2	2.74.50.50.011	
6	提手 Handle	2	2.74.14.10.001	
7	M5 螺丝 M5 Screw	2		M5X10
8	M4 螺丝 M4 Screw	12		M4X10
8	M4 螺丝 M4 Screw	6		M4X6

部件示意图 Part Schematic Diagram



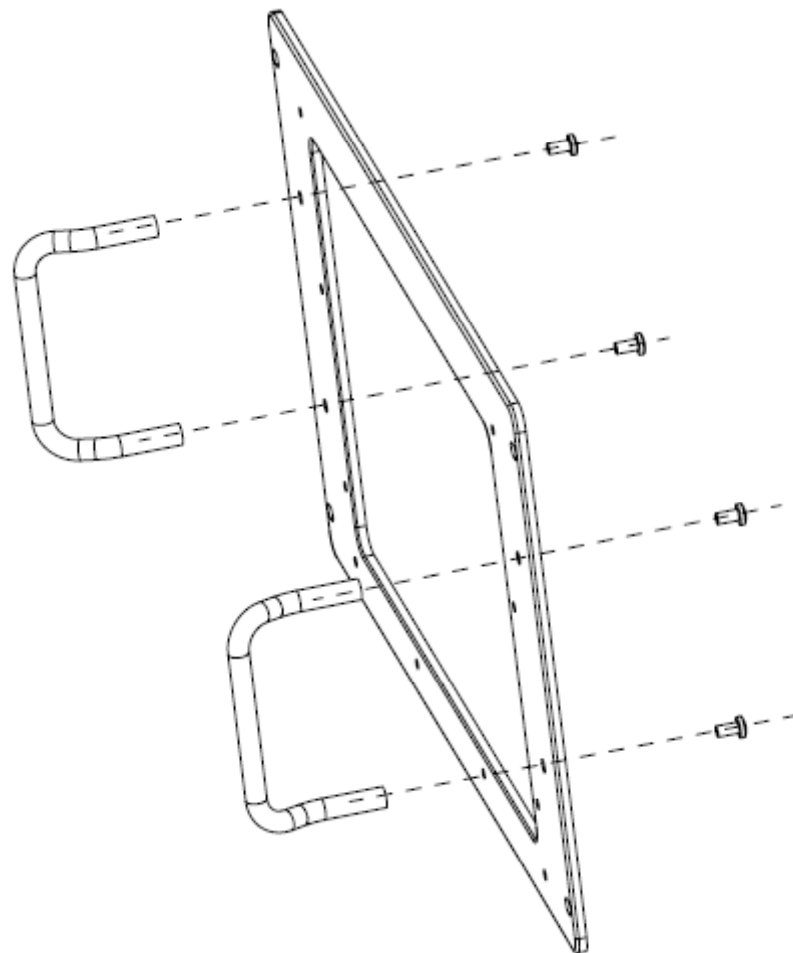




安装步骤 Installation Procedure

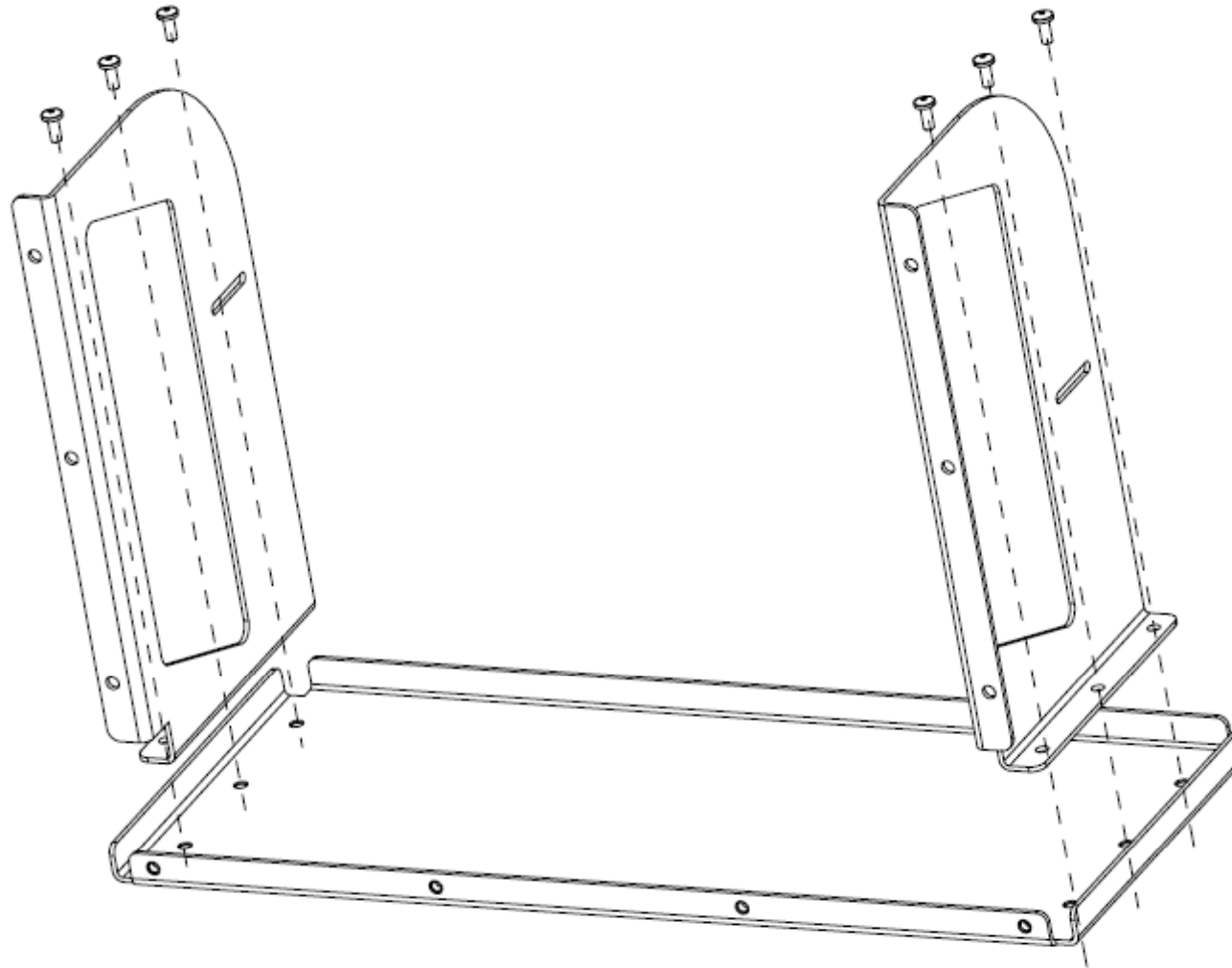
1,安装提手：提手对准五金前面板的孔，用四颗M5X10螺丝来将其固定。

Install handle: Align these holes with the front plate, then fix them with four M5X10 screws.



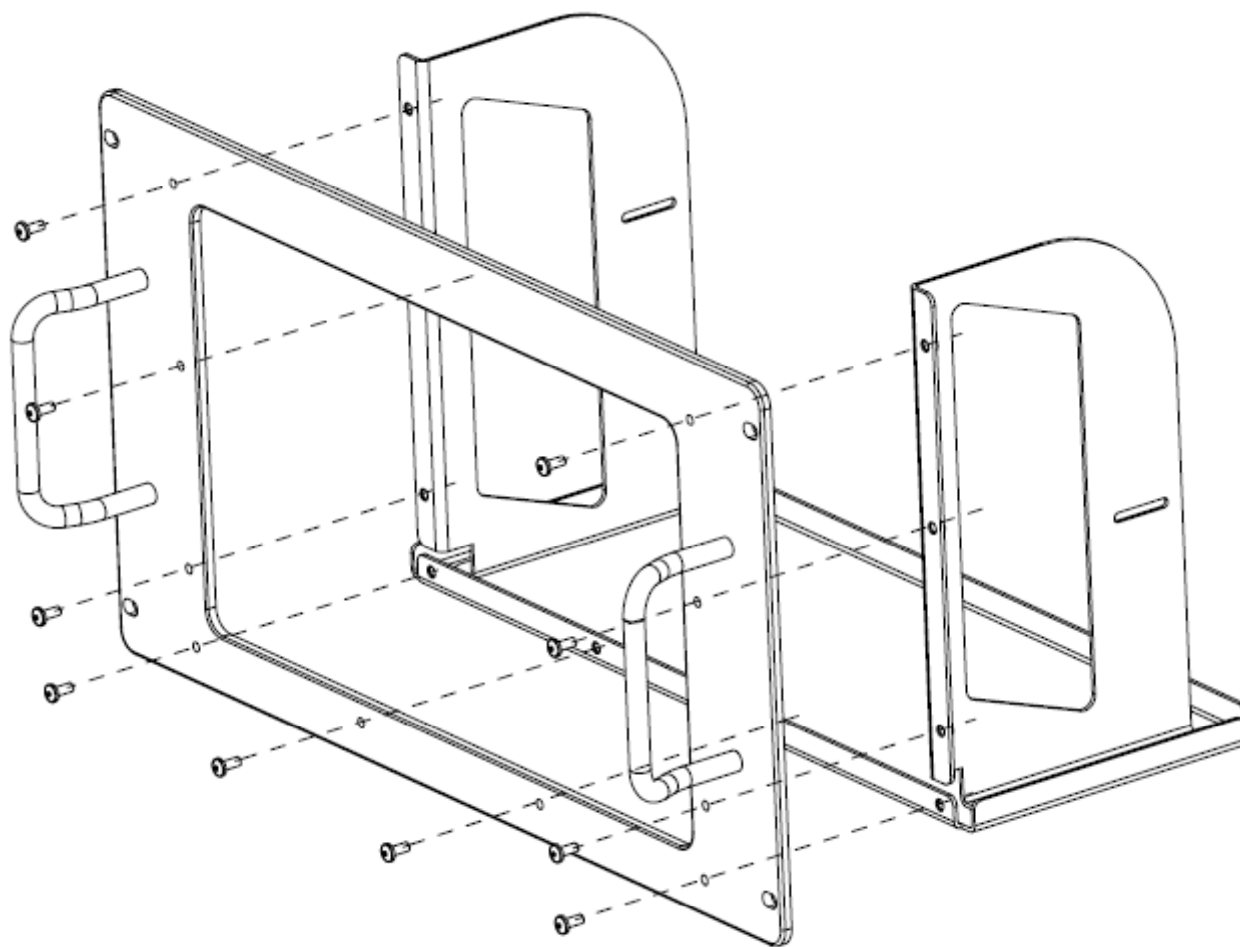
2,安装五金左, 右板: 五金左, 右板对准五金底板的孔, 用六颗M4X6螺丝来将其固定.

Install the left and right plate: Align the left plate and right plate with the support plate, then fix them with six MX6 screws.



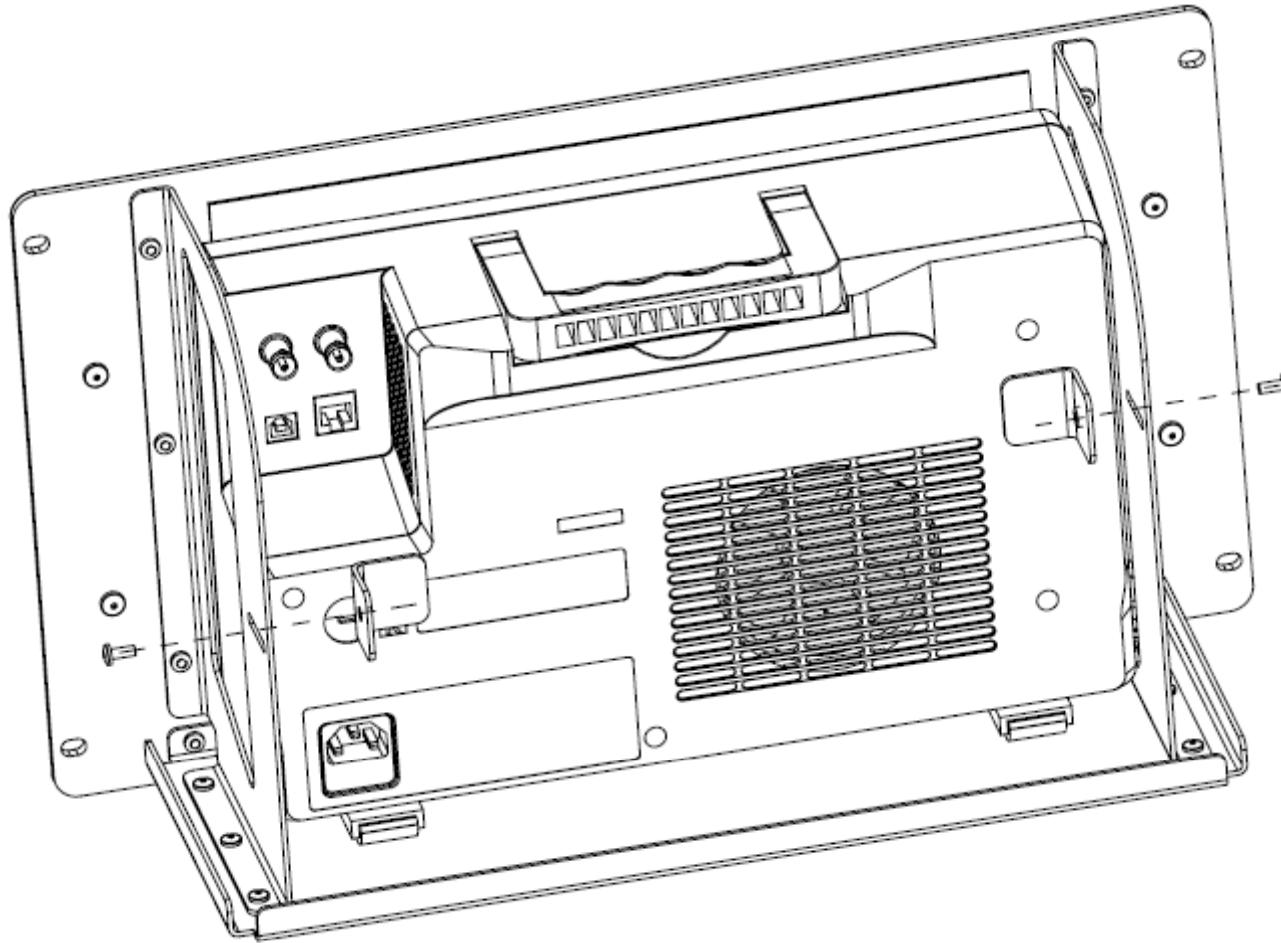
3,安装五金前面板：将五金前面板用10颗M4X10螺丝固定在上一步装好的框架上。

Install the front plate of the rack mount kit: Fix the front plate onto the frame installed in the previous step using ten M4X10 screws .



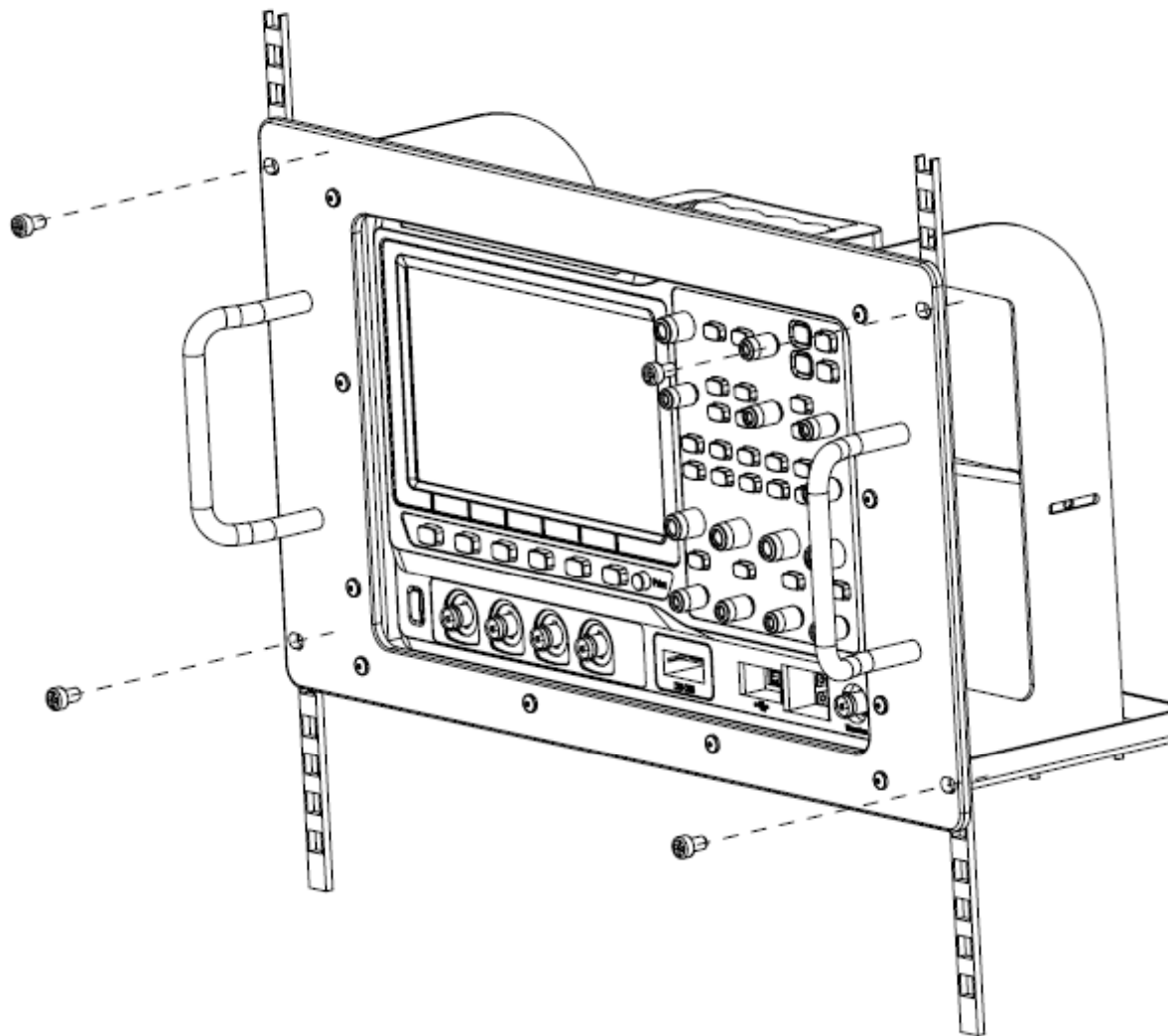
4,固定仪器：用两个固定件把仪器压紧，用2颗M4X10螺丝来固定。

Fix the instrument : Fix the instrument using two built-in fittings and two M2X10 screws .



5,装入机柜：用两颗M6螺丝和两颗M6方螺母将固定好的仪器的支架安装在标准19英寸的机柜上。

Load into machine cabinet : mount the rack with instrument fixed to it into a standard 19-inch machine cabinet with four M6 screws and four square nuts.



6,安装后注意：机架占6U的高度，箭头所指的孔为机架的安装孔，注意对准安装。
Post-installation notice: the rack mount occupies a height of 6U , The holes pointed out by the arrows are installation holes. Note that they should be aligned with during installation.

